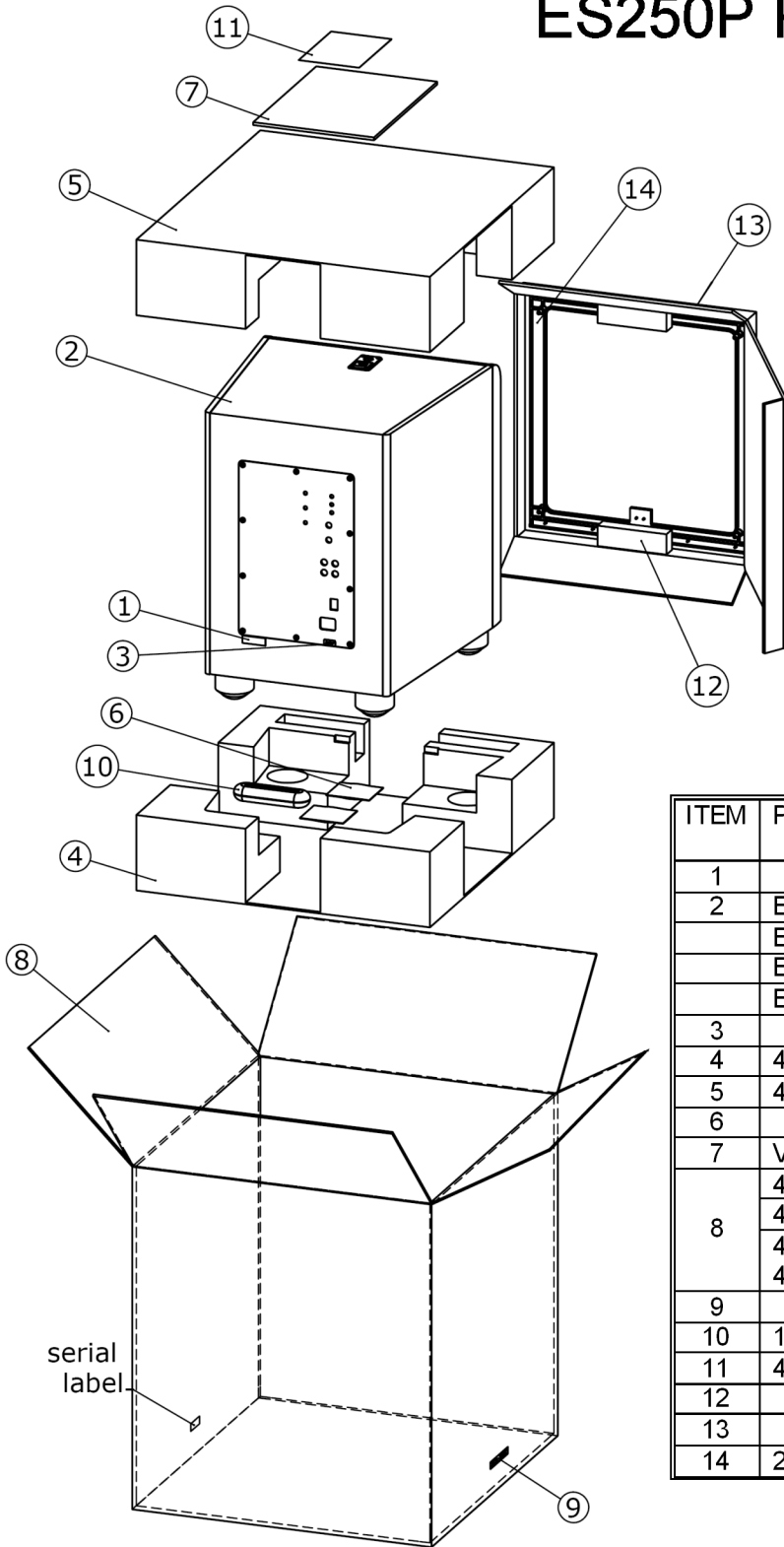


# ES250P PACKAGING



ITEM	PART NUMBER	DESCRIPTION	QTY
1		Serial Number Label	1
2	ES250PBE	ES250 P	1
	ES250PBK		
	ES250PCH		
	ES250PSIG		
3		Label	1
4	431-000-06030-E	Bottom Foam	1
5	431-000-06029-E	Top Foam	1
6		Desiccant	1
7	Visit <a href="http://www.jbl.com">www.jbl.com</a>	Owner's Manual	1
8	400-000-07571-E	Outer Carton, ES250PBE	1
	400-000-07574-E	Outer Carton, ES250PBK	1
	400-000-07570-E	Outer Carton, ES250PCH	1
	400-000-07572-E	Outer Carton, ES250PSIG	1
9		Label	1
10	165-045801100-E	15' RCA cable	1
11	405-000-05181-E	Warranty card	1
12		Packing, grille	1
13		Carton, grille	1
14	244-120-05243-0BAE	Front Grille	1